



Sink - Tara.

Pillar tap cold water only - polished chrome

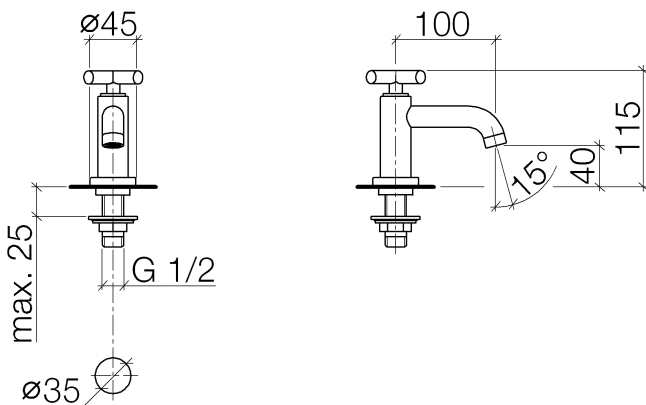
Article number: 17 500 892-00 0010

- 3-7/8" Projection
- Rigid spout
- Round aerated stream
- Total height 4-1/2"
- Height to aerator/spout outlet 1-5/8"
- 1-3/8" hole diameter
- 1/2" connection
- Flange diameter 1-3/4"
- Water flow rate limited to max. 1.2 gpm
- lead-free
- (ADA)



polished chrome

## Dimensional drawing





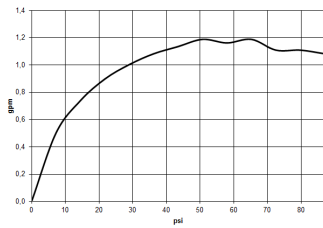
Sink - Tara.

Pillar tap cold water only - polished chrome

Article number: 17 500 892-00 0010

All dimensions in mm / inch = mm x 0,0394

### Flow rate chart





Sink - Tara.

Pillar tap cold water only - polished chrome

Article number: 17 500 892-00 0010

### Other surface finishes



platinum matte

17 500 892-06 0010



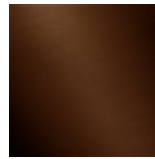
platinum

17 500 892-08 0010



Dark Brass matte

17 500 892-16 0010



Dark Bronze matte

17 500 892-17 0010



black matte

17 500 892-33 0010

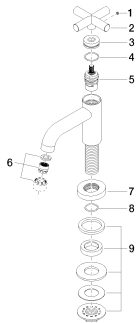


Dark Platinum matte

17 500 892-99 0010

More custom finish options are available via special production (xTra Service). Please see our finish matrix for availability and pricing or contact a Dornbracht representative.

### Spare parts list



Number	Item Number	Designation	Number of units
<hr/>			